

# HOW FOREST PEOPLE DEFINE TOUGH DISCOVER THE LOGLIFT 140Z / 150Z





**COMPLETELY NEW**  
**REASSURINGLY FAMILIAR**



Meet LOGLIFT 140Z and LOGLIFT 150Z. They have got all the ruggedness, reliability and productivity you've come to expect; with a range of brand new features for enhanced performance, safety and comfort.\*

Take a look at some of their brand new features:

- Hydraulic Pilot Control gives you precision control over your crane movements, resulting in a smooth and flawless operation
- SafetyPlus System enhances safety and give you information to help in troubleshooting and performing preventive maintenance

- New top seat gives you better visibility, comfort and durability
- nDurance, a nano-technology paint process ensures all-weather protection
- HPL™ (Hose Protection Link) guards against impacts and sticking

\* The LOGLIFT 140Z and LOGLIFT 150Z belong to the same family. The only difference is that the F150Z offers more lifting capacity. For full technical specifications, please refer to the table on page 8.

# STRENGTHENING YOUR PERFO

Our forestry cranes have always delivered exceptional performance and rugged durability with low lifetime costs. The innovations in the new LOGLIFT 140Z and LOGLIFT 150Z reinforce our commitment to always provide you with the best. Discover what make the LOGLIFT 140Z and LOGLIFT 150Z perfect for you.

## Hydraulic Pilot Control

Hydraulic Pilot Control (HPC) is an optional control system that gives you smooth and easy operation. Regardless of your choice of control device; conventional or joystick type – we promise a feather-touch response.

- Precision control over your crane movements
- Smooth, flawless operation
- Reduced stress on crane structure
- Increased life expectancy of your equipment



## New top seat for better comfort

Handling timber in the harsh environment of a forest is a challenging task. The new LOGLIFT 140Z and LOGLIFT 150Z have a newly designed seat that offers better driver comfort and durability.

- Elevated seat for better visibility and safety
- All-weather, anti-slip seat
- Adjustable armrest for better ergonomics
- New automatic stow function for easy parking, as an option
- Seatbelt included for increased safety



## Safety+ System

Most cranes have CE Systems that help enhance safety of the driver and those in the vicinity. The new LOGLIFT 140Z and LOGLIFT 150Z have a Safety+ System with a cycle and hour (SAC) counter that gives error codes and sensor state previews to help in troubleshooting and performing preventive maintenance

- External display shows data on crane performance during operation
- Rated capacity indicator
- Emergency stop button
- High boom and stabilizer extension warning



Improved Boom System

nDurance

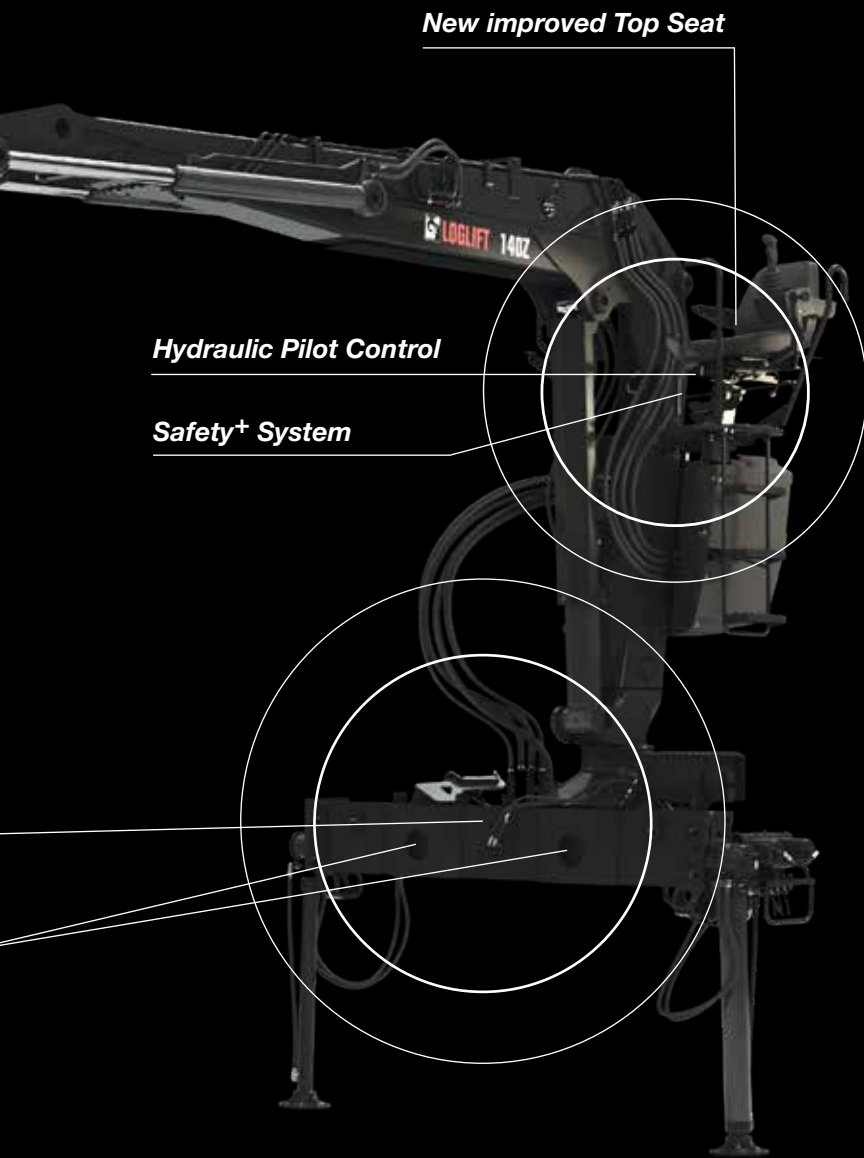
HPL

Smart Base

Three Point Bridge

If you're looking for a rugged and reliable forestry crane that's quick and efficient and has a lower lifetime cost, the new LOGLIFT 140Z and LOGLIFT 150Z are perfect for you. After all, they're designed by forest people; for forest people.

# PERFORMANCE



New improved Top Seat

Hydraulic Pilot Control

Safety+ System

## Three-year warranty

The new LOGLIFT 140Z and LOGLIFT 150Z are rugged and reliable machines and we're ready to stand behind this assertion with a three-year warranty. You can rest easy, secure in the knowledge that you've invested in a workhorse that will literally go on and on.

- Peace of mind with a three-year warranty
- Assurance that we're there to support you in the event your crane develops a problem

\* 3 Year Warranty applies to the steel material costs (base, column, first boom, second boom, extension booms, three point bridge and stabilizer beams).



## HPL™ (Hose Protection Link) to guard against blows and sticking

Protecting hoses on any crane is important, but especially in the harsh environment of log handling. Hose Protection Link (HPL) gives extra protection — from crane tip to rotator — against accidental impacts. The system includes the rotator and hanger to provide a complete and integrated solution.

- Robust link with a 40 mm upper pin
- Generous bearing dimensions for minimum wear
- Cleverly designed plug-in fittings
- Easy access for tightening, service and maintenance
- Quick-change hoses



## Wide range of options

You want to have a crane that comes with options that are right for your application. The new LOGLIFT 140Z and LOGLIFT 150Z gives you just that. A wide range of hangers, rotators and grapples are available. Whether you're handling cut-to-length logs or full tree lengths, you can be sure you can get the job done — quickly and efficiently.

- Get more out of your equipment with well-adapted accessories

## Wide service network

The new LOGLIFT 140Z/150Z is backed by the largest service and parts network in the industry. Where ever your business may be; wherever your work may take you, you can be sure we're there to support you.

- A Hiab-approved service centre or parts hub is never far away
- Scheduled service or repairs, you can be confident we'll have your crane back at work in no time at all

## nDurance nano-technology paint process for all-weather protection

Rain, dust, sand and sunlight are unforgiving forces that wear on a crane all year around. This is why we have created nDurance — a technologically advanced and environmentally sound pre-treatment and paint process, based on nano-technology combined with state-of-the-art e-coating and powder painting.

- Nano-technology covers every square millimetre
- Three different protective layers for highest corrosion resistance
- 100 % phosphate free
- No heavy metals and virtually zero waste

**nDurance™**

# OPTIONS AND ACCESSORIES



## Wide range of options

- Get more out of your equipment with well-adapted accessories

You want to have a crane that comes with options that are right for your application. The LOGLIFT 140Z and LOGLIFT 150Z gives you just that. A wide range of hangers, rotators and grapples are available. Whether you're handling cut-to-length or full tree length, you can get the job done – quickly and efficiently.

## Wide service network

- A Hiab-approved service centre or parts hub is never far away
- Scheduled service or repairs, you can be confident we'll have your crane back at work in no time at all

The LOGLIFT 140Z and LOGLIFT 150Z are backed by the largest service and parts network in the industry. Wherever your business may be; wherever your work may take you, you can be sure we're there to support you.

## Three-year warranty

- Peace of mind with a three-year warranty
- Assurance that we're there to support you in the event of a problem

The LOGLIFT 140Z and LOGLIFT 150Z are a rugged and reliable machines and we're ready to stand behind this assertion with a three-year warranty. You can rest easy, secure in the knowledge that you've invested in a work-horse that will literally go on and on.

*\* 3 Year Warranty applies to the steel material costs (base, column, first boom, second boom, extension booms, three point bridge and stabilizer beams).*





If you're looking for a rugged and reliable forestry crane that's quick and efficient and has a lower lifetime cost, the LOGLIFT 140Z and LOGLIFT 150Z is perfect for you. After all, it's designed by forest people; for forest people.

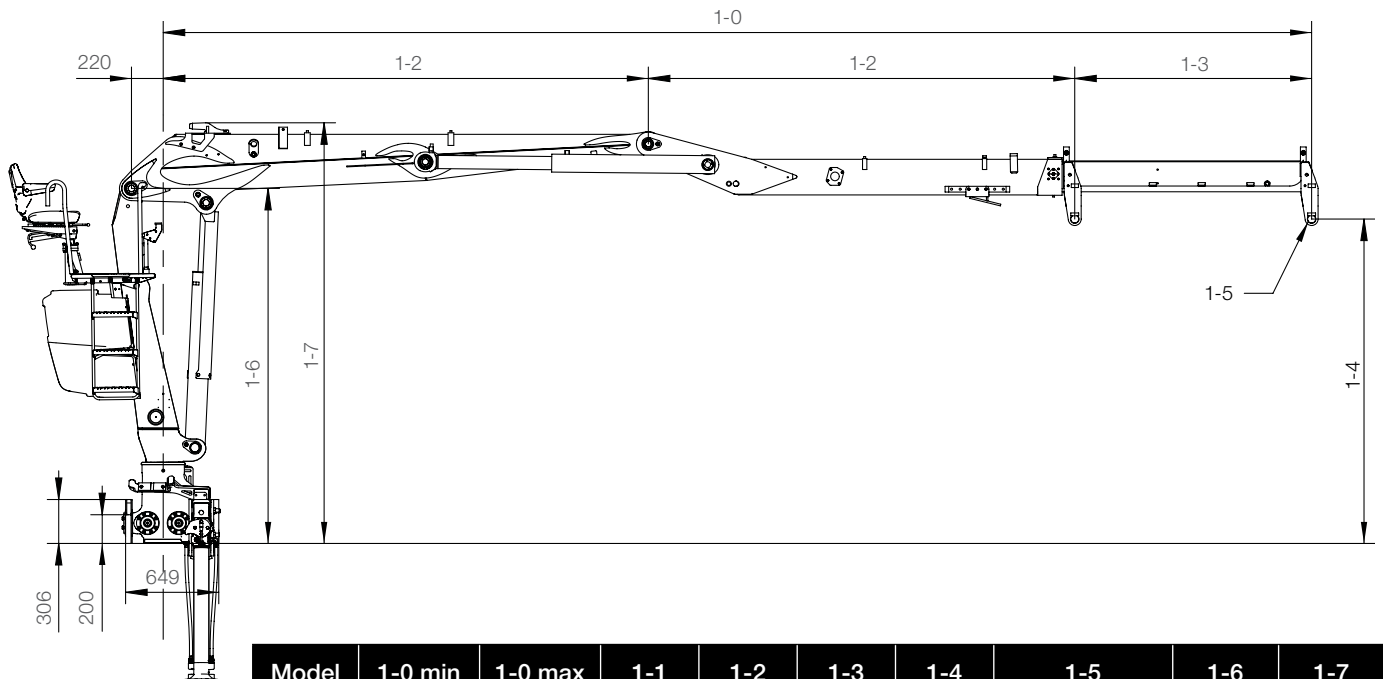
## Technical data

Technical data	F140Z 80	F140Z 95	F150Z 80	F150Z 95
Max. lifting capacity (kNm)	136	127	138	129
Hydraulic outreach (m)	8.00	9.49	8.00	9.49
Hydraulic boom extension (m)	1.65	2.94	1.65	2.94
Outreach – lifting capacity, standard (m – kg)	3.0 - 3750 4.0 - 3050 5.0 - 2600 6.0 - 2280 7.0 - 1940 7.5 - 1800	3.0 - 3450 4.0 - 2800 5.0 - 2400 6.0 - 2120 7.0 - 1820 8.0 - 1560 9.0 - 1240	3.0 - 4100 4.0 - 3200 5.0 - 2650 6.0 - 2300 7.0 - 1960 7.5 - 1820	3.0 - 3900 4.0 - 3000 5.0 - 2500 6.0 - 2160 7.0 - 1840 8.0 - 1580 9.0 - 1260
Slewing system	Double	Double	Double	Double
Slewing angle (°)	425	425	425	425
Slewing torque, gross (kNm)	28.6	28.6	28.6	28.6
Max. slope viable at full capacity (°)	8	8	8	8
Max. working pressure (MPa)	26	26	26	26
Recommended oil flow – fixed pump (l/min), 1-pump	70-90	70-90	70-90	70-90
Recommended oil flow – fixed pump (l/min), 2-pump	2 × 60-80	2 × 60-80	2 × 60-80	2 × 60-80
Min. recommended oil flow – variable displacement pump (l/min)	-	-	-	-
Power needed at rec. oil flow (kW) - fixed pump, 1-pump	34	34	34	34
Power needed at rec. oil flow (kW) - fixed pump, 2-pump	68	68	68	68
Power needed at rec. oil flow (kW) - variable displacement pump	-	-	-	-
Road width (mm)	2500	2500	2500	2500
Weight - Top seat crane with standard stabilizer equipment* (kg)	2160	2330	2280	2450

\*Weight with fixed pump system, oil weight included

This table shows a few examples of models, and represents some of all options available. With the opportunity to configure your crane, we can provide you with a crane perfectly tailored to your needs. Please contact your local dealer for more information on the variety of options we can offer.

## Side view with top seat

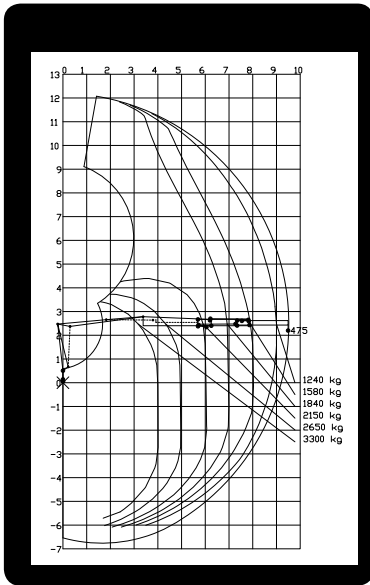


Model	1-0 min	1-0 max	1-1	1-2	1-3	1-4	1-5	1-6	1-7
140Z 80	6350	8000	3380	2970	1650	2259	Ø 40, B=184	2473	2930
140Z 95	6550	9490	3380	3170	2940	2199	Ø 40, B=184	2473	2930
150Z 80	6350	800	3380	2970	1650	2295	Ø 40, B=184	2508	2965
150Z 95	6550	9490	3380	3170	2940	2235	Ø 40, B=184	2508	2965

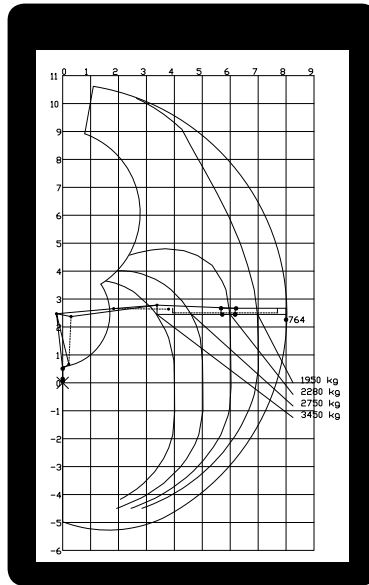
All measurements in mm



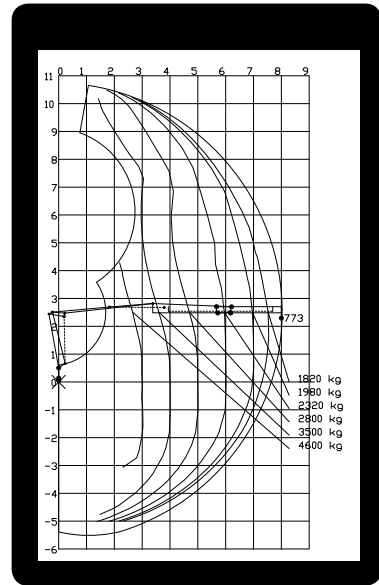
Load diagram 140Z95



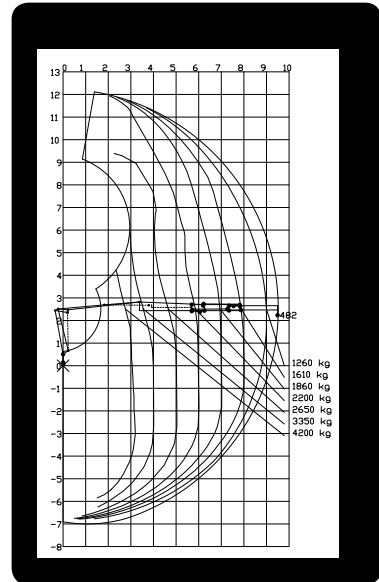
Load diagram 140Z80



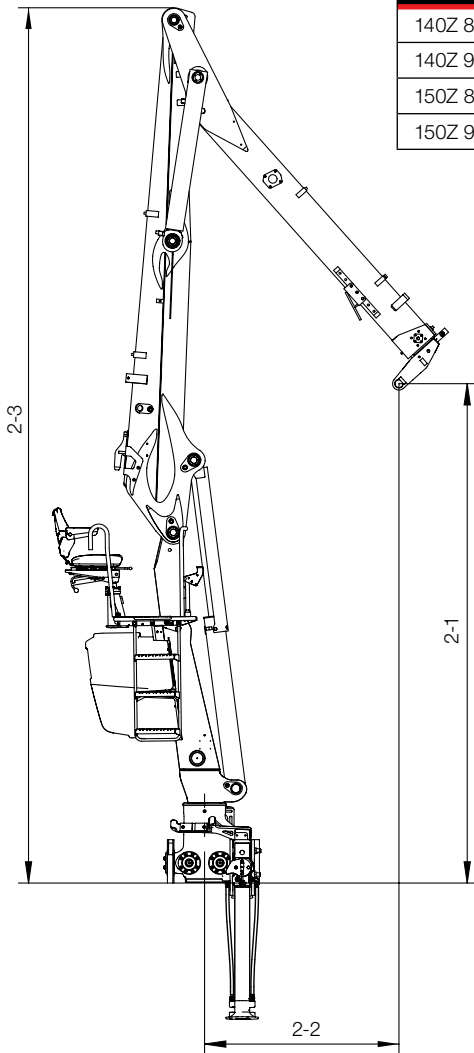
Load diagram 150Z80



Load diagram 150Z95



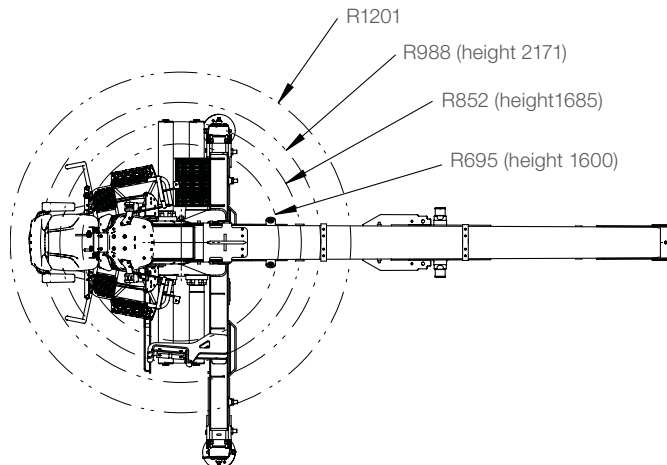
Close in



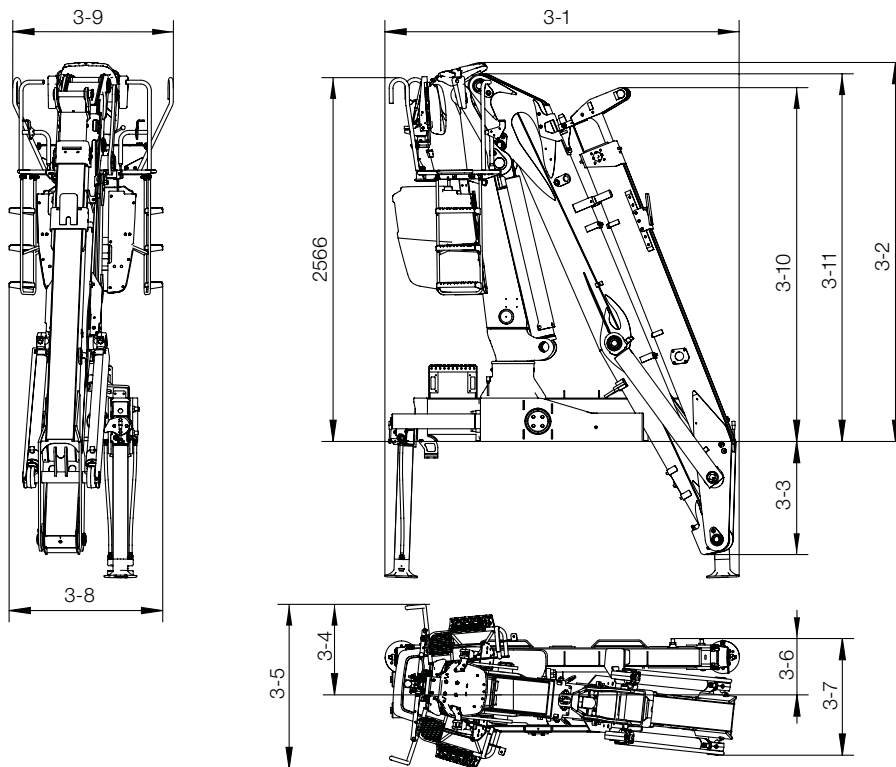
Model	2-1	2-2	2-3
140Z 80	3522	1371	3173
140Z 95	3332	1459	3173
150Z 80	3557	1372	6207
150Z 95	3367	1460	6207

All measurements in mm

Top view with top seat



## Folded view with top seat

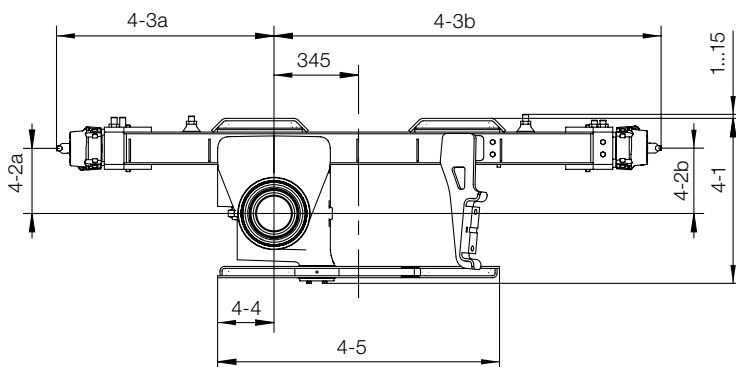


Model	3-1	3-2	3-3	3-4	3-5	3-6	3-7	3-8	3-9	3-10	3-11
140Z 80	2498	2623	819	1158	638	397	826	1083	1133	2495	2593
140Z 95	2498	2623	819	1158	638	397	826	1083	1133	2517	2593
150Z 80	2498	2658	897	1158	638	397	823	1083	1133	2495	2593
150Z 95	2498	2658	897	1158	638	397	823	1083	1133	2517	2593

All measurements in mm

## Chassis installations

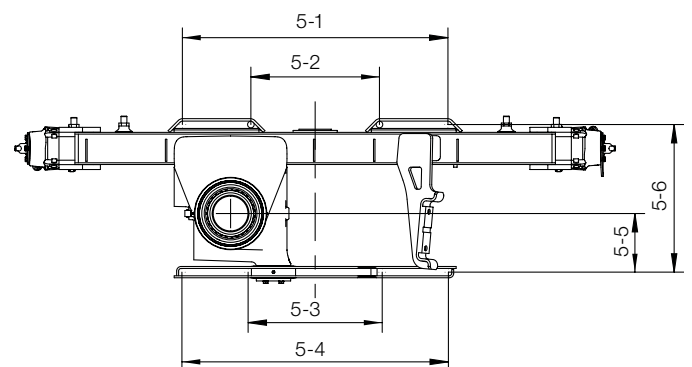
### Base B4500



Base	4-1	4-2a	4-2b	4-3a	4-3b	4-4	4-5
Standard	580	266	266	890	1580	230	1150
B4500	580	266	266	890	1580	230	1150

All measurements in mm

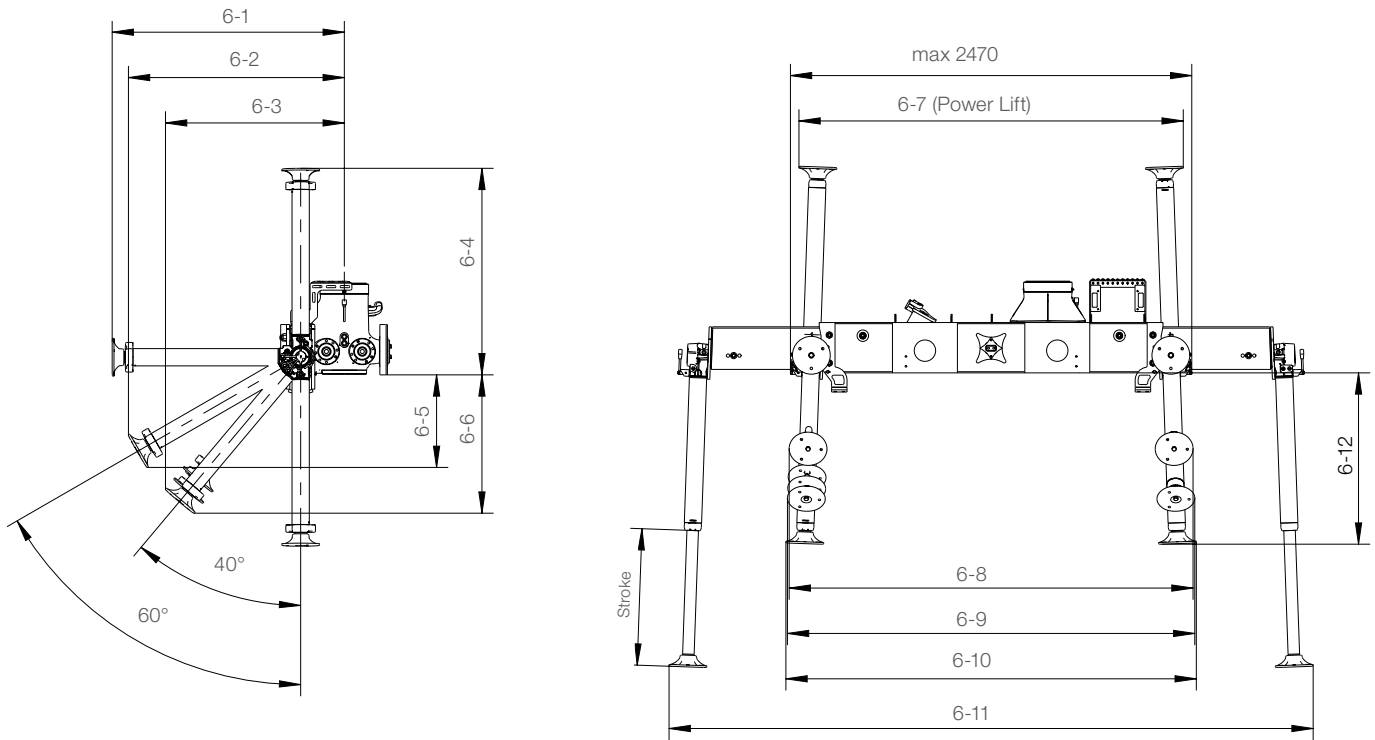
### Base Standard



Fastening	5-1	5-2	5-3	5-4	5-5	5-6
Standard	1090	520	550	1080	240	600
B4500	1090	520	550	1080	240	600

All measurements in mm

## Chassis installations

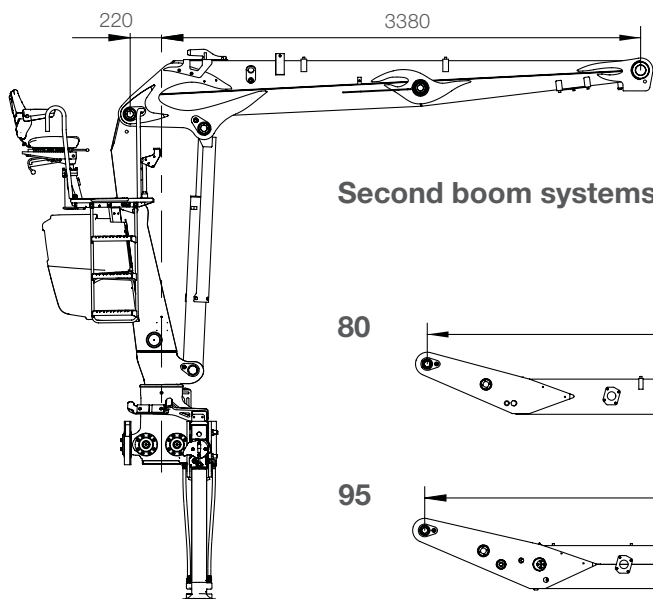


Base	Stroke	6-1	6-2	6-3	6-4	6-5	6-6	6-7	6-8	6-9	6-10	6-11	6-12
Standard	580	1245	1165	980	1090	480	715	2385	2455	2470	2485	3890	865
	670	1335	1245	1035	1180	525	785	2380	2455	2475	2490	3905	955
	750	1415	1315	1090	1260	565	845	2375	2460	2480	2495	3915	1040
B4500	580	1245	1165	980	1090	475	710	2420	2470	2475	2485	4480	865
	670	1335	1245	1035	1180	520	780	2415	2470	2480	2490	4485	955
	750	1415	1315	1090	1260	560	840	2410	2470	2480	2490	4495	1035

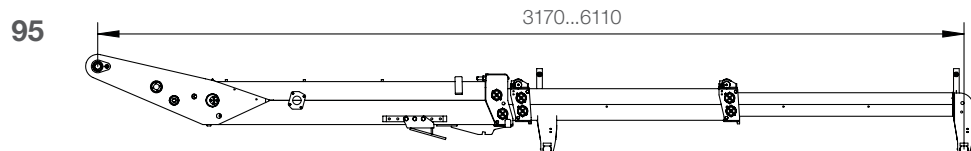
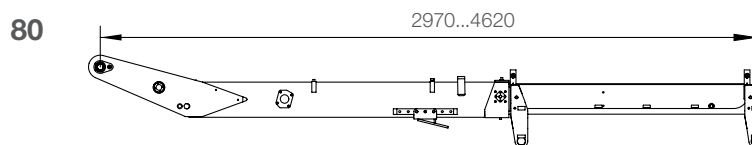
All measurements in mm

## Available boom combinations

### First boom (top seat)



### Second boom systems



# BUILT TO PERFORM

Hiab is the world's leading provider of on-road load handling equipment. Customer satisfaction is the first priority for us. Hiab's product range includes HIAB loader cranes, JONSERED recycling and forestry cranes, LOGLIFT forestry cranes, MOFFETT truck mounted forklifts and MULTILIFT demountables, as well as DEL, WALTCO and ZEPRO tail lifts.

[hiab.com](http://hiab.com)

Hiab is part of Cargotec.

[cargotec.com](http://cargotec.com)



PB-140Z150Z-EN-EU\_180418

To learn more about LOGLIFT  
visit [loglift.com](http://loglift.com)



[hiab.com](http://hiab.com)